

BLISS SAMPLES

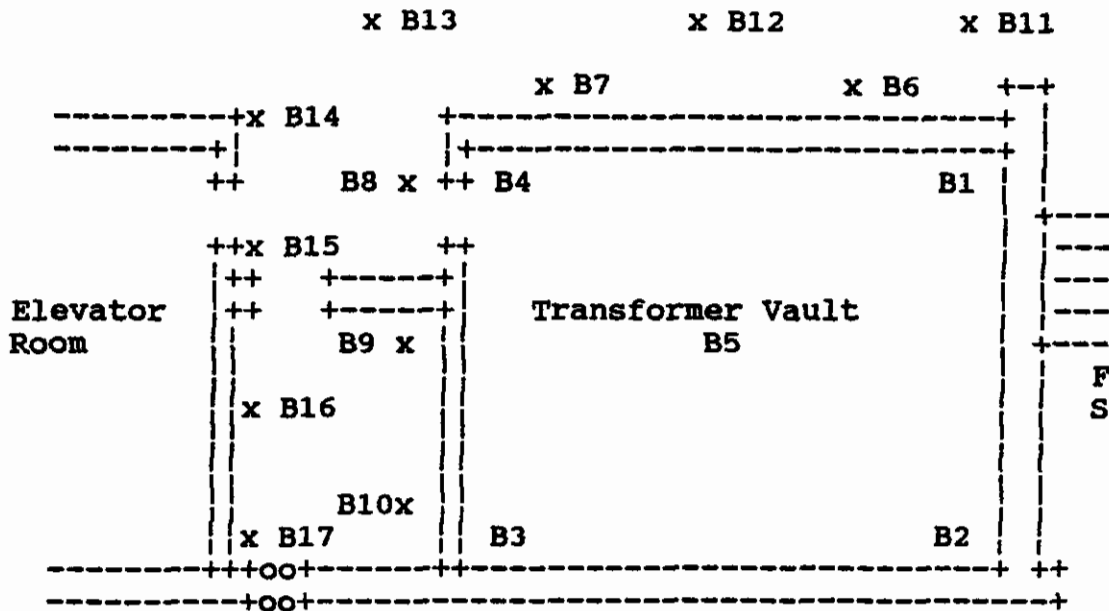
BLISS VAULT SPLIT SPOONS

<u>LOCATION</u>	<u>MAP ID #</u>	<u>SAMPLE ID #</u>	<u>DATE</u>	<u>RESULT</u>	<u>DEPTH FROM TOP OF SLAB</u>	<u>COMMENT</u>
BLISS		2262992-B1-(2'-3')	06/29/92	5.0 as 1260	2'-3'	VAULT-B1
BLISS		2262992-B1-(3'-4')	06/29/92	ND	3'-4'	VAULT-B1
BLISS		227292-B3, 1'-2'	07/02/92	28 as 1260	1'-2'	VAULT B3 (COC MISLABELLED)
BLISS		227292-B2, 2'-3'	07/02/92	9900 as 1260	1'-2'	VAULT-B2
BLISS		227292-B2, 3'-4'	07/02/92	300 as 1260	2'-3'	VAULT-B2
BLISS		227292-B2, 4'-5'	07/02/92	17 as 1260	4'-5'	VAULT B2
BLISS		227992-B3 1-2	07/09/92	3.7 as 1260	1'-2'	VAULT B3
BLISS		227992-B3 2-3	07/09/92	5.1 as 1260	2'-3'	VAULT B3
BLISS		227292-B4, 1'-2'	07/02/92	ND	1'-2'	VAULT-B4
BLISS		227292-B4-2'-3'	07/02/92	ND	2'-3'	VAULT-B4
BLISS		227292-B4-3'-4'	07/02/92	ND	3'-4'	VAULT-B4
BLISS		227292-B4-4'-5'	07/02/92	ND	4'-5'	VAULT-B4
BLISS		227292-B4-5'-6'	07/02/92	ND as 1260	5'-6'	VAULT-B4
BLISS		2262992-B5-(0'-1')	06/29/92	20 as 1260	0'-1'	VAULT-B5
BLISS		2262992-B5-(1'-2')	06/29/92	1.8 as 1260	1'-2'	VAULT-B5
BLISS		2262992-B5-(2'-3')	06/29/92	3.5 as 1260	2'-3'	VAULT-B5

**BLISS WALT PERIMETER SPLIT SPIN SAMPLES**

<b>LOCATION</b>	<b>NFP ID #</b>	<b>SAMPLE ID #</b>	<b>DATE</b>	<b>RESULT</b>	<b>DEPTH FROM TOP OF SLAB</b>	<b>COMMENT</b>
BLISS		227992B6 1-2	07/09/92	1.1 as 1260	1'-2'	PERIMETER-B6
BLISS		227992B6 2-3	07/09/92	ND	2'-3'	PERIMETER-B6
BLISS		227992B6 3-4	07/09/92	ND	3'-4'	PERIMETER-B6
BLISS		227992B6 4-5	07/09/92	ND	4'-5'	PERIMETER-B6
BLISS		227992B6 5-6	07/09/92	ND	5'-6'	PERIMETER-B6
BLISS		227992B7 1-2	07/09/92	ND	1'-2'	PERIMETER-B7
BLISS		227992B7 2-3	07/09/92	ND	2'-3'	PERIMETER-B7
BLISS		227992B7 3-4	07/09/92	ND	3'-4'	PERIMETER-B7
BLISS		227992B7 4-5	07/09/92	ND	4'-5'	PERIMETER-B7
BLISS		227992 B8 1-2	07/09/92	ND	1'-2'	PERIMETER-B8

BLISS TRANSFORMER VAULT PCB LATERAL MIGRATION PLOT



<u>Location</u>	<u>Depth</u>	<u>PCB Conc.</u>
-----------------	--------------	------------------

B1	2-3	5.0
B1	3-4	ND
B2	1-2	28
B2	2-3	9900
B2	2-3	300
B2	4-5	17
B3	1-2	3.7
B3	2-3	5.1
B4	1-2	ND
B4	2-3	ND
B4	3-4	ND
B4	4-5	ND
B4	5-6	ND
B5	0-1	20
B5	1-2	1.8
B5	2-3	3.5

All depths are from the top of the transformer slab

B6	1-2	1.1
B6	2-3	ND
B6	3-4	ND
B6	4-5	ND
B6	5-6	ND
B7	3-4	ND
B7	4-5	ND
B8	1-2	ND



Client: Clean Harbors of Kingston, Inc.  
Sample I.D.: 2262992-B1-(2-3) BLISS  
Sample Type: Soil

CHAS Lab #: 9206448-01N  
Date Received: 06/30/92

Polychlorinated Biphenyls (PCBs)  
by EPA Method 3550/8080

Extraction Date: 07/02/92  
Analysis Date: 07/08/92

Parameter	MDL	Concentration	Units
PCB - Aroclor 1016	1.0	ND	mg/kg
PCB - Aroclor 1221	1.0	ND	mg/kg
PCB - Aroclor 1232	1.0	ND	mg/kg
PCB - Aroclor 1242	1.0	ND	mg/kg
PCB - Aroclor 1248	1.0	ND	mg/kg
PCB - Aroclor 1254	1.0	ND	mg/kg
PCB - Aroclor 1260	1.0	5.0	mg/kg

Notes: ND - Below minimum detectable level (MDL)  
Soil/solid sample results based on sample dry weight  
NA - Due to matrix interferences observed in the sample,  
the surrogate recovery was unable to be calculated.

---

QA/QC

Surrogate Recovery	Acceptance Criteria
Hexabromobenzene: NA	75-139%



Client: Clean Harbors of Kingston, Inc.  
Sample I.D.: 2262992-B1-(2-3) BLISS  
Sample Type: Soil

CHAS Lab #: 9206448-01N  
Date Received: 06/30/92

Parameter	MDL	Result	Units	Analysis Date	Method Number and Reference
Total Solids	--	93.7	%	07/01/92	209F(b)

Notes: ND = Below minimum detectable level (MDL)  
Soil/solid samples based on sample dry weight.



Client: Clean Harbors of Kingston, Inc.  
Sample I.D.: 2262992-B1-(3-4) BLISS  
Sample Type: Soil

CHAS Lab #: 9206448-02N  
Date Received: 06/30/92

Polychlorinated Biphenyls (PCBs)  
by EPA Method 3550/8080

Extraction Date: 07/02/92  
Analysis Date: 07/08/92

Parameter	MDL	Concentration	Units
PCB - Aroclor 1016	1.0	ND	mg/kg
PCB - Aroclor 1221	1.0	ND	mg/kg
PCB - Aroclor 1232	1.0	ND	mg/kg
PCB - Aroclor 1242	1.0	ND	mg/kg
PCB - Aroclor 1248	1.0	ND	mg/kg
PCB - Aroclor 1254	1.0	ND	mg/kg
PCB - Aroclor 1260	1.0	ND	mg/kg

Notes: ND = Below minimum detectable level (MDL)  
Soil/solid sample results based on sample dry weight

---

QA/QC

Surrogate Recovery

Acceptance Criteria

Hexabromobenzene: 78.9%

75-139%



Client: Clean Harbors of Kingston, Inc.  
Sample I.D.: 2262992-B1-(3-4) BLISS  
Sample Type: Soil

CHAS Lab #: 9206448-02N  
Date Received: 06/30/92

Parameter	MDL	Result	Units	Analysis Date	Method Number and Reference
Total Solids	--	88.3	%	07/01/92	209F(b)

Notes: ND - Below minimum detectable level (MDL)  
Soil/solid samples based on sample dry weight.





Client: Clean Harbors of Kingston, Inc.  
Sample I.D.: 227292-B3, 1'-2' BLISS  
Sample Type: Soil

CHAS Lab #: 9207040-06N  
Date Received: 07/07/92

Polychlorinated Biphenyls (PCBs)  
by EPA Method 3540/8080

Extraction Date: 07/08/92  
Analysis Date: 07/15/92

Parameter	MDL	Concentration	Units
PCB - Aroclor 1016	10	ND	mg/kg
PCB - Aroclor 1221	10	ND	mg/kg
PCB - Aroclor 1232	10	ND	mg/kg
PCB - Aroclor 1242	10	ND	mg/kg
PCB - Aroclor 1248	10	ND	mg/kg
PCB - Aroclor 1254	10	ND	mg/kg
PCB - Aroclor 1260	10	28	mg/kg

Notes: ND = Below minimum detectable level (MDL)  
Soil/solid sample results based on sample dry weight  
NA = Due to dilutions required to analyze the sample,  
the surrogate recovery was unable to be calculated.

---

QA/QC

Surrogate Recovery

Acceptance Criteria

Hexabromobenzene: NA

78-148%



Client: Clean Harbors of Kingston, Inc.  
Sample I.D.: 227292-B2, 2'-3' BLISS  
Sample Type: Soil

CHAS Lab #: 9207040-07N  
Date Received: 07/07/92

Polychlorinated Biphenyls (PCBs)  
by EPA Method 3540/8080

Extraction Date: 07/09/92  
Analysis Date: 07/15/92

Parameter	MDL	Concentration	Units
PCB - Aroclor 1016	1,000	ND	mg/kg
PCB - Aroclor 1221	1,000	ND	mg/kg
PCB - Aroclor 1232	1,000	ND	mg/kg
PCB - Aroclor 1242	1,000	ND	mg/kg
PCB - Aroclor 1248	1,000	ND	mg/kg
PCB - Aroclor 1254	1,000	ND	mg/kg
PCB - Aroclor 1260	1,000	9,900	mg/kg

Notes: ND - Below minimum detectable level (MDL)  
Soil/solid sample results based on sample dry weight  
NA - Due to dilutions required to analyze the sample,  
the surrogate recovery was unable to be calculated.

---

QA/QC

Surrogate Recovery	Acceptance Criteria
Hexabromobenzene: NA	78-148%



Client: Clean Harbors of Kingston, Inc.  
Sample I.D.: 227292-B2, 3'-4' BLISS  
Sample Type: Soil

CHAS Lab #: 9207040-08N  
Date Received: 07/07/92

Polychlorinated Biphenyls (PCBs)  
by EPA Method 3540/8080

Extraction Date: 07/09/92  
Analysis Date: 07/15/92

Parameter	MDL	Concentration	Units
PCB - Aroclor 1016	100	ND	mg/kg
PCB - Aroclor 1221	100	ND	mg/kg
PCB - Aroclor 1232	100	ND	mg/kg
PCB - Aroclor 1242	100	ND	mg/kg
PCB - Aroclor 1248	100	ND	mg/kg
PCB - Aroclor 1254	100	ND	mg/kg
PCB - Aroclor 1260	100	300	mg/kg

Notes: ND - Below minimum detectable level (MDL)  
Soil/solid sample results based on sample dry weight  
NA - Due to dilutions required to analyze the sample,  
the surrogate recovery was unable to be calculated.

---

QA/QC

Surrogate Recovery	Acceptance Criteria
Hexabromobenzene: NA	78-148%



Client: Clean Harbors of Kingston, Inc.  
Sample I.D.: 227292-B2, 4'-5' BLISS  
Sample Type: Soil

CHAS Lab #: 9207040-09N  
Date Received: 07/07/92

Polychlorinated Biphenyls (PCBs)  
by EPA Method 3540/8080

Extraction Date: 07/09/92  
Analysis Date: 07/13/92

Parameter	MDL	Concentration	Units
PCB - Aroclor 1016	1.0	ND	mg/kg
PCB - Aroclor 1221	1.0	ND	mg/kg
PCB - Aroclor 1232	1.0	ND	mg/kg
PCB - Aroclor 1242	1.0	ND	mg/kg
PCB - Aroclor 1248	1.0	ND	mg/kg
PCB - Aroclor 1254	1.0	ND	mg/kg
PCB - Aroclor 1260	1.0	17	mg/kg

Notes: ND = Below minimum detectable level (MDL)  
Soil/solid sample results based on sample dry weight  
NA = Due to matrix interferences observed in the sample,  
the surrogate recovery was unable to be calculated.

---

QA/QC

Surrogate Recovery	Acceptance Criteria
Hexabromobenzene: NA	78-148%



Client: Clean Harbors of Kingston, Inc.  
Sample I.D.: 227292-B2, 4'-5' BLISS  
Sample Type: Soil

CHAS Lab #: 9207040-09N  
Date Received: 07/07/92

Parameter	MDL	Result	Units	Analysis Date	Method Number and Reference
Total Solids	--	93.6	%	07/08/92	209F(b)

Notes: ND - Below minimum detectable level (MDL)  
Soil/solid samples based on sample dry weight.



Client: Clean Harbors of Kingston, Inc.  
Sample I.D.: 227992 B3 1-2 BLISS  
Sample Type: Soil

CHAS Lab #: 9207126-02N  
Date Received: 07/13/92

Polychlorinated Biphenyls (PCBs)  
by EPA Method 3540/8080 (ref. c)

Extraction Date: 07/14/92  
Analysis Date: 07/22/92

Parameter	MDL	Concentration	Units
PCB - Aroclor 1016	1.0	ND	mg/kg
PCB - Aroclor 1221	1.0	ND	mg/kg
PCB - Aroclor 1232	1.0	ND	mg/kg
PCB - Aroclor 1242	1.0	ND	mg/kg
PCB - Aroclor 1248	1.0	ND	mg/kg
PCB - Aroclor 1254	1.0	ND	mg/kg
PCB - Aroclor 1260	1.0	3.7	mg/kg

Notes: ND - Below minimum detectable level (MDL)  
Soil/solid sample results based on sample dry weight

---

QA/QC

Surrogate Recovery

Acceptance Criteria

Hexabromobenzene: 104%

78-148%



Client: Clean Harbors of Kingston, Inc.  
Sample I.D.: 227992 B3 1-2 BLISS  
Sample Type: Soil

CHAS Lab #: 9207126-02N  
Date Received: 07/13/92

Parameter	MDL	Result	Units	Analysis Date	Method Number and Reference
Total Solids	--	93.2	%	07/14/92	209F(b)

Notes: ND - Below minimum detectable level (MDL)  
Soil/solid samples based on sample dry weight.



Client: Clean Harbors of Kingston, Inc.  
Sample I.D.: 227992 B3 2-3 BLISS  
Sample Type: Soil

CHAS Lab #: 9207126-03N  
Date Received: 07/13/92

Polychlorinated Biphenyls (PCBs)  
by EPA Method 3540/8080 (ref. c)

Extraction Date: 07/14/92  
Analysis Date: 07/22/92

Parameter	MDL	Concentration	Units
PCB - Aroclor 1016	1.0	ND	mg/kg
PCB - Aroclor 1221	1.0	ND	mg/kg
PCB - Aroclor 1232	1.0	ND	mg/kg
PCB - Aroclor 1242	1.0	ND	mg/kg
PCB - Aroclor 1248	1.0	ND	mg/kg
PCB - Aroclor 1254	1.0	ND	mg/kg
PCB - Aroclor 1260	1.0	5.1	mg/kg

Notes: ND - Below minimum detectable level (MDL)  
Soil/solid sample results based on sample dry weight

---

QA/QC

Surrogate Recovery

Acceptance Criteria

Hexabromobenzene: 92.6%

78-148%





Client: Clean Harbors of Kingston, Inc.  
Sample I.D.: 227992 B3 2-3 BLISS  
Sample Type: Soil

CHAS Lab #: 9207126-03N  
Date Received: 07/13/92

Parameter	MDL	Result	Units	Analysis Date	Method Number and Reference
Total Solids	--	92.0	%	07/14/92	209F(b)

Notes: ND - Below minimum detectable level (MDL)  
Soil/solid samples based on sample dry weight.



Client: Clean Harbors of Kingston, Inc.  
Sample I.D.: 227292-B4, 1'-2' BLISS  
Sample Type: Soil

CHAS Lab #: 9207040-01N  
Date Received: 07/07/92

Polychlorinated Biphenyls (PCBs)  
by EPA Method 3540/8080

Extraction Date: 07/08/92  
Analysis Date: 07/11/92

Parameter	MDL	Concentration	Units
PCB - Aroclor 1016	1.0	ND	mg/kg
PCB - Aroclor 1221	1.0	ND	mg/kg
PCB - Aroclor 1232	1.0	ND	mg/kg
PCB - Aroclor 1242	1.0	ND	mg/kg
PCB - Aroclor 1248	1.0	ND	mg/kg
PCB - Aroclor 1254	1.0	ND	mg/kg
PCB - Aroclor 1260	1.0	ND	mg/kg

Notes: ND = Below minimum detectable level (MDL)  
Soil/solid sample results based on sample dry weight

---

QA/QC

Surrogate Recovery

Acceptance Criteria

Hexabromobenzene: 108%

78-148%



Client: Clean Harbors of Kingston, Inc.  
Sample I.D.: 227292-B4, 1'-2' BLISS  
Sample Type: Soil

CHAS Lab #: 9207040-01N  
Date Received: 07/07/92

Parameter	MDL	Result	Units	Analysis Date	Method Number and Reference
Total Solids	--	93.0	%	07/08/92	209F(b)

Notes: ND - Below minimum detectable level (MDL)  
Soil/solid samples based on sample dry weight.



Client: Clean Harbors of Kingston, Inc.  
Sample I.D.: 227292-B4, 2'-3' BLISS  
Sample Type: Soil

CHAS Lab #: 9207040-02N  
Date Received: 07/07/92

Polychlorinated Biphenyls (PCBs)  
by EPA Method 3540/8080

Extraction Date: 07/08/92  
Analysis Date: 07/11/92

Parameter	MDL	Concentration	Units
PCB - Aroclor 1016	1.0	ND	mg/kg
PCB - Aroclor 1221	1.0	ND	mg/kg
PCB - Aroclor 1232	1.0	ND	mg/kg
PCB - Aroclor 1242	1.0	ND	mg/kg
PCB - Aroclor 1248	1.0	ND	mg/kg
PCB - Aroclor 1254	1.0	ND	mg/kg
PCB - Aroclor 1260	1.0	ND	mg/kg

Notes: ND - Below minimum detectable level (MDL)  
Soil/solid sample results based on sample dry weight

---

QA/QC

Surrogate Recovery

Acceptance Criteria

Hexabromobenzene: 115%

78-148%



Client: Clean Harbors of Kingston, Inc.  
Sample I.D.: 227292-B4, 2'-3' BLISS  
Sample Type: Soil

CHAS Lab #: 9207040-02N  
Date Received: 07/07/92

Parameter	MDL	Result	Units	Analysis Date	Method Number and Reference
Total Solids	--	94.5	%	07/08/92	209F(b)

Notes: ND - Below minimum detectable level (MDL)  
Soil/solid samples based on sample dry weight.



Client: Clean Harbors of Kingston, Inc.  
Sample I.D.: 227292-B4, 3'-4' BLISS  
Sample Type: Soil

CHAS Lab #: 9207040-03N  
Date Received: 07/07/92

Polychlorinated Biphenyls (PCBs)  
by EPA Method 3540/8080

Extraction Date: 07/08/92  
Analysis Date: 07/13/92

Parameter	MDL	Concentration	Units
PCB - Aroclor 1016	1.0	ND	mg/kg
PCB - Aroclor 1221	1.0	ND	mg/kg
PCB - Aroclor 1232	1.0	ND	mg/kg
PCB - Aroclor 1242	1.0	ND	mg/kg
PCB - Aroclor 1248	1.0	ND	mg/kg
PCB - Aroclor 1254	1.0	ND	mg/kg
PCB - Aroclor 1260	1.0	ND	mg/kg

Notes: ND - Below minimum detectable level (MDL)  
Soil/solid sample results based on sample dry weight

---

QA/QC

Surrogate Recovery	Acceptance Criteria
Hexabromobenzene: 126%	78-148%



Client: Clean Harbors of Kingston, Inc.  
Sample I.D.: 227292-B4, 3'-4' BLISS  
Sample Type: Soil

CHAS Lab #: 9207040-03N  
Date Received: 07/07/92

Parameter	MDL	Result	Units	Analysis Date	Method Number and Reference
Total Solids	--	92.7	%	07/08/92	209F(b)

Notes: ND - Below minimum detectable level (MDL)  
Soil/solid samples based on sample dry weight.



Client: Clean Harbors of Kingston, Inc.  
Sample I.D.: 227292-B4, 4'-5' BLISS  
Sample Type: Soil

CHAS Lab #: 9207040-04N  
Date Received: 07/07/92

Polychlorinated Biphenyls (PCBs)  
by EPA Method 3540/8080

Extraction Date: 07/08/92  
Analysis Date: 07/13/92

Parameter	MDL	Concentration	Units
PCB - Aroclor 1016	1.0	ND	mg/kg
PCB - Aroclor 1221	1.0	ND	mg/kg
PCB - Aroclor 1232	1.0	ND	mg/kg
PCB - Aroclor 1242	1.0	ND	mg/kg
PCB - Aroclor 1248	1.0	ND	mg/kg
PCB - Aroclor 1254	1.0	ND	mg/kg
PCB - Aroclor 1260	1.0	ND	mg/kg

Notes: ND = Below minimum detectable level (MDL)  
Soil/solid sample results based on sample dry weight

---

QA/QC

Surrogate Recovery

Acceptance Criteria

Hexabromobenzene: 124%

78-148%





Client: Clean Harbors of Kingston, Inc.  
Sample I.D.: 227292-B4, 4'-5' BLISS  
Sample Type: Soil

CHAS Lab #: 9207040-04N  
Date Received: 07/07/92

Parameter	MDL	Result	Units	Analysis Date	Method Number and Reference
Total Solids	--	85.1	%	07/08/92	209F(b)

Notes: ND = Below minimum detectable level (MDL)  
Soil/solid samples based on sample dry weight.



Client: Clean Harbors of Kingston, Inc.  
Sample I.D.: 227292-B4, 5'-6' BLISS  
Sample Type: Soil

CHAS Lab #: 9207040-05N  
Date Received: 07/07/92

Polychlorinated Biphenyls (PCBs)  
by EPA Method 3540/8080

Extraction Date: 07/08/92  
Analysis Date: 07/13/92

Parameter	MDL	Concentration	Units
PCB - Aroclor 1016	1.0	ND	mg/kg
PCB - Aroclor 1221	1.0	ND	mg/kg
PCB - Aroclor 1232	1.0	ND	mg/kg
PCB - Aroclor 1242	1.0	ND	mg/kg
PCB - Aroclor 1248	1.0	ND	mg/kg
PCB - Aroclor 1254	1.0	ND	mg/kg
PCB - Aroclor 1260	1.0	ND	mg/kg

Notes: ND - Below minimum detectable level (MDL)  
Soil/solid sample results based on sample dry weight

---

QA/QC

Surrogate Recovery	Acceptance Criteria
Hexabromobenzene: 121%	78-148%



Client: Clean Harbors of Kingston, Inc.  
Sample I.D.: 227292-B4, 5'-6' BLISS  
Sample Type: Soil

CHAS Lab #: 9207040-05N  
Date Received: 07/07/92

Parameter	MDL	Result	Units	Analysis Date	Method Number and Reference
Total Solids	--	88.5	%	07/08/92	209F(b)

Notes: ND - Below minimum detectable level (MDL)  
Soil/solid samples based on sample dry weight.



Client: Clean Harbors of Kingston, Inc.  
Sample I.D.: 2262992-B5-(0-1) BLISS  
Sample Type: Soil

CHAS Lab #: 9206448-03N  
Date Received: 06/30/92

Polychlorinated Biphenyls (PCBs)  
by EPA Method 3550/8080

Extraction Date: 07/02/92  
Analysis Date: 07/08/92

Parameter	MDL	Concentration	Units
PCB - Aroclor 1016	1.0	ND	mg/kg
PCB - Aroclor 1221	1.0	ND	mg/kg
PCB - Aroclor 1232	1.0	ND	mg/kg
PCB - Aroclor 1242	1.0	ND	mg/kg
PCB - Aroclor 1248	1.0	ND	mg/kg
PCB - Aroclor 1254	1.0	ND	mg/kg
PCB - Aroclor 1260	1.0	20	mg/kg

Notes: ND - Below minimum detectable level (MDL)  
Soil/solid sample results based on sample dry weight  
NA - Due to matrix interferences observed in the sample,  
the surrogate recovery was unable to be calculated.

---

QA/QC

Surrogate Recovery	Acceptance Criteria
Hexabromobenzene: NA	75-139%



Client: Clean Harbors of Kingston, Inc.  
Sample I.D.: 2262992-B5-(0-1) BLISS  
Sample Type: Soil

CHAS Lab #: 9206448-03N  
Date Received: 06/30/92

Parameter	MDL	Result	Units	Analysis Date	Method Number and Reference
Total Solids	--	90.6	%	07/01/92	209F(b)

Notes: ND = Below minimum detectable level (MDL)  
Soil/solid samples based on sample dry weight.



Client: Clean Harbors of Kingston, Inc.  
Sample I.D.: 2262992-B5-(1-2) BLISS  
Sample Type: Soil

CHAS Lab #: 9206448-04N  
Date Received: 06/30/92

Polychlorinated Biphenyls (PCBs)  
by EPA Method 3550/8080

Extraction Date: 07/02/92

Analysis Date: 07/08/92

Parameter	MDL	Concentration	Units
PCB - Aroclor 1016	1.0	ND	mg/kg
PCB - Aroclor 1221	1.0	ND	mg/kg
PCB - Aroclor 1232	1.0	ND	mg/kg
PCB - Aroclor 1242	1.0	ND	mg/kg
PCB - Aroclor 1248	1.0	ND	mg/kg
PCB - Aroclor 1254	1.0	ND	mg/kg
PCB - Aroclor 1260	1.0	1.8	mg/kg

Notes: ND - Below minimum detectable level (MDL)  
Soil/solid sample results based on sample dry weight

---

QA/QC

Surrogate Recovery

Acceptance Criteria

Hexabromobenzene: 85.9%

75-139%



Client: Clean Harbors of Kingston, Inc.  
Sample I.D.: 2262992-B5-(1-2) BLISS  
Sample Type: Soil

CHAS Lab #: 9206448-04N  
Date Received: 06/30/92

Parameter	MDL	Result	Units	Analysis Date	Method Number and Reference
Total Solids	--	93.1	%	07/01/92	209F(b)

Notes: ND = Below minimum detectable level (MDL)  
Soil/solid samples based on sample dry weight.



Client: Clean Harbors of Kingston, Inc.  
Sample I.D.: 2262992-B5-(2-3) BLISS  
Sample Type: Soil

CHAS Lab #: 9206448-05N  
Date Received: 06/30/92

Polychlorinated Biphenyls (PCBs)  
by EPA Method 3550/8080

Extraction Date: 07/02/92  
Analysis Date: 07/08/92

Parameter	MDL	Concentration	Units
PCB - Aroclor 1016	1.0	ND	mg/kg
PCB - Aroclor 1221	1.0	ND	mg/kg
PCB - Aroclor 1232	1.0	ND	mg/kg
PCB - Aroclor 1242	1.0	ND	mg/kg
PCB - Aroclor 1248	1.0	ND	mg/kg
PCB - Aroclor 1254	1.0	ND	mg/kg
PCB - Aroclor 1260	1.0	3.5	mg/kg

Notes: ND = Below minimum detectable level (MDL)  
Soil/solid sample results based on sample dry weight  
NA = Due to matrix interferences observed in the sample,  
the surrogate recovery was unable to be calculated.

---

QA/QC

Surrogate Recovery	Acceptance Criteria
Hexabromobenzene: NA	75-139%





Client: Clean Harbors of Kingston, Inc.  
Sample I.D.: 2262992-B5-(2-3) BLISS  
Sample Type: Soil

CHAS Lab #: 9206448-05N  
Date Received: 06/30/92

Parameter	MDL	Result	Units	Analysis Date	Method Number and Reference
Total Solids	--	89.8	%	07/01/92	209F(b)

Notes: ND = Below minimum detectable level (MDL)  
Soil/solid samples based on sample dry weight.



Client: Clean Harbors of Kingston, Inc.  
Sample I.D.: 227992B6 1-2 BLISS  
Sample Type: Soil

CHAS Lab #: 9207127-01N  
Date Received: 07/11/92

Polychlorinated Biphenyls (PCBs)  
by EPA Method 3540/8080 (ref. c)

Extraction Date: 07/14/92  
Analysis Date: 07/21/92

Parameter	MDL	Concentration	Units
PCB - Aroclor 1016	1.0	ND	mg/kg
PCB - Aroclor 1221	1.0	ND	mg/kg
PCB - Aroclor 1232	1.0	ND	mg/kg
PCB - Aroclor 1242	1.0	ND	mg/kg
PCB - Aroclor 1248	1.0	ND	mg/kg
PCB - Aroclor 1254	1.0	ND	mg/kg
PCB - Aroclor 1260	1.0	1.1	mg/kg

Notes: ND - Below minimum detectable level (MDL)  
Soil/solid sample results based on sample dry weight

---

QA/QC

Surrogate Recovery

Acceptance Criteria

Hexabromobenzene: 108%

78-148%



Client: Clean Harbors of Kingston, Inc.  
Sample I.D.: 227992B6 1-2 BLISS  
Sample Type: Soil

CHAS Lab #: 9207127-01N  
Date Received: 07/11/92

Parameter	MDL	Result	Units	Analysis Date	Method Number and Reference
Total Solids	--	93.2	%	07/14/92	209F(b)

Notes: ND - Below minimum detectable level (MDL)  
Soil/solid samples based on sample dry weight.



Client: Clean Harbors of Kingston, Inc.  
Sample I.D.: 227992B6 2-3 BLISS  
Sample Type: Soil

CHAS Lab #: 9207127-02N  
Date Received: 07/11/92

Polychlorinated Biphenyls (PCBs)  
by EPA Method 3540/8080 (ref. c)

Extraction Date: 07/14/92  
Analysis Date: 07/21/92

Parameter	MDL	Concentration	Units
PCB - Aroclor 1016	1.0	ND	mg/kg
PCB - Aroclor 1221	1.0	ND	mg/kg
PCB - Aroclor 1232	1.0	ND	mg/kg
PCB - Aroclor 1242	1.0	ND	mg/kg
PCB - Aroclor 1248	1.0	ND	mg/kg
PCB - Aroclor 1254	1.0	ND	mg/kg
PCB - Aroclor 1260	1.0	ND	mg/kg

Notes: ND - Below minimum detectable level (MDL)  
Soil/solid sample results based on sample dry weight

---

QA/QC

Surrogate Recovery

Acceptance Criteria

Hexabromobenzene: 108%

78-148%



Client: Clean Harbors of Kingston, Inc.  
Sample I.D.: 227992B6 2-3 BLISS  
Sample Type: Soil

CHAS Lab #: 9207127-02N  
Date Received: 07/11/92

Parameter	MDL	Result	Units	Analysis Date	Method Number and Reference
Total Solids	--	87.6	‡	07/14/92	209F(b)

Notes: ND - Below minimum detectable level (MDL)  
Soil/solid samples based on sample dry weight.



Client: Clean Harbors of Kingston, Inc.  
Sample I.D.: 227992B6 3-4 BLISS  
Sample Type: Soil

CHAS Lab #: 9207127-03N  
Date Received: 07/11/92

Polychlorinated Biphenyls (PCBs)  
by EPA Method 3540/8080 (ref. c)

Extraction Date: 07/14/92  
Analysis Date: 07/21/92

Parameter	MDL	Concentration	Units
PCB - Aroclor 1016	1.0	ND	mg/kg
PCB - Aroclor 1221	1.0	ND	mg/kg
PCB - Aroclor 1232	1.0	ND	mg/kg
PCB - Aroclor 1242	1.0	ND	mg/kg
PCB - Aroclor 1248	1.0	ND	mg/kg
PCB - Aroclor 1254	1.0	ND	mg/kg
PCB - Aroclor 1260	1.0	ND	mg/kg

Notes: ND - Below minimum detectable level (MDL)  
Soil/solid sample results based on sample dry weight

---

QA/QC

Surrogate Recovery

Acceptance Criteria

Hexabromobenzene: 110%

78-148%



Client: Clean Harbors of Kingston, Inc.  
Sample I.D.: 227992B6 3-4 BLISS  
Sample Type: Soil

CHAS Lab #: 9207127-03N  
Date Received: 07/11/92

Parameter	MDL	Result	Units	Analysis Date	Method Number and Reference
Total Solids	--	90.9	%	07/14/92	209F(b)

Notes: ND - Below minimum detectable level (MDL)  
Soil/solid samples based on sample dry weight.



Client: Clean Harbors of Kingston, Inc.  
Sample I.D.: 227992B6 4-5 BLISS  
Sample Type: Soil

CHAS Lab #: 9207127-04N  
Date Received: 07/11/92

Polychlorinated Biphenyls (PCBs)  
by EPA Method 3540/8080 (ref. c)

Extraction Date: 07/15/92  
Analysis Date: 07/21/92

Parameter	MDL	Concentration	Units
PCB - Aroclor 1016	1.0	ND	mg/kg
PCB - Aroclor 1221	1.0	ND	mg/kg
PCB - Aroclor 1232	1.0	ND	mg/kg
PCB - Aroclor 1242	1.0	ND	mg/kg
PCB - Aroclor 1248	1.0	ND	mg/kg
PCB - Aroclor 1254	1.0	ND	mg/kg
PCB - Aroclor 1260	1.0	ND	mg/kg

Notes: ND - Below minimum detectable level (MDL)  
Soil/solid sample results based on sample dry weight

---

QA/QC

Surrogate Recovery

Acceptance Criteria

Hexabromobenzene: 107%

78-148%





Client: Clean Harbors of Kingston, Inc.  
Sample I.D.: 227992B6 4-5 BLISS  
Sample Type: Soil

CHAS Lab #: 9207127-04N  
Date Received: 07/11/92

Parameter	MDL	Result	Units	Analysis Date	Method Number and Reference
Total Solids	--	91.3	%	07/14/92	209F(b)

Notes: ND - Below minimum detectable level (MDL)  
Soil/solid samples based on sample dry weight.



Client: Clean Harbors of Kingston, Inc.  
Sample I.D.: 227992B6 5-6 BLISS  
Sample Type: Soil

CHAS Lab #: 9207127-05N  
Date Received: 07/11/92

Polychlorinated Biphenyls (PCBs)  
by EPA Method 3540/8080 (ref. c)

Extraction Date: 07/15/92  
Analysis Date: 07/21/92

Parameter	MDL	Concentration	Units
PCB - Aroclor 1016	1.0	ND	mg/kg
PCB - Aroclor 1221	1.0	ND	mg/kg
PCB - Aroclor 1232	1.0	ND	mg/kg
PCB - Aroclor 1242	1.0	ND	mg/kg
PCB - Aroclor 1248	1.0	ND	mg/kg
PCB - Aroclor 1254	1.0	ND	mg/kg
PCB - Aroclor 1260	1.0	ND	mg/kg

Notes: ND - Below minimum detectable level (MDL)  
Soil/solid sample results based on sample dry weight

---

QA/QC

Surrogate Recovery	Acceptance Criteria
Hexabromobenzene: 112%	78-148%

# Clean Harbors

Client: Clean Harbors of Kingston, Inc.  
Sample I.D.: 227992B6 5-6 BLISS  
Sample Type: Soil

CHAS Lab #: 9207127-05N  
Date Received: 07/11/92

Parameter	MDL	Result	Units	Analysis Date	Method Number and Reference
Total Solids	--	85.0	%	07/14/92	209F(b)

Notes: ND - Below minimum detectable level (MDL)  
Soil/solid samples based on sample dry weight.



Client: Clean Harbors of Kingston, Inc.  
Sample I.D.: 227992B7 1-2 BLISS  
Sample Type: Soil

CHAS Lab #: 9207127-06N  
Date Received: 07/11/92

Polychlorinated Biphenyls (PCBs)  
by EPA Method 3540/8080 (ref. c)

Extraction Date: 07/15/92  
Analysis Date: 07/21/92

Parameter	MDL	Concentration	Units
PCB - Aroclor 1016	1.0	ND	mg/kg
PCB - Aroclor 1221	1.0	ND	mg/kg
PCB - Aroclor 1232	1.0	ND	mg/kg
PCB - Aroclor 1242	1.0	ND	mg/kg
PCB - Aroclor 1248	1.0	ND	mg/kg
PCB - Aroclor 1254	1.0	ND	mg/kg
PCB - Aroclor 1260	1.0	ND	mg/kg

Notes: ND - Below minimum detectable level (MDL)  
Soil/solid sample results based on sample dry weight

---

QA/QC

Surrogate Recovery

Acceptance Criteria

Hexabromobenzene: 113%

78-148%



Client: Clean Harbors of Kingston, Inc.  
Sample I.D.: 227992B7 1-2 BLISS  
Sample Type: Soil

CHAS Lab #: 9207127-06N  
Date Received: 07/11/92

Parameter	MDL	Result	Units	Analysis Date	Method Number and Reference
Total Solids	--	90.6	%	07/14/92	209F(b)

Notes: ND - Below minimum detectable level (MDL)  
Soil/solid samples based on sample dry weight.



Client: Clean Harbors of Kingston, Inc.  
Sample I.D.: 227992B7 2-3 BLISS  
Sample Type: Soil

CHAS Lab #: 9207127-07N  
Date Received: 07/11/92

Polychlorinated Biphenyls (PCBs)  
by EPA Method 3540/8080 (ref. c)

Extraction Date: 07/15/92  
Analysis Date: 07/22/92

Parameter	MDL	Concentration	Units
PCB - Aroclor 1016	1.0	ND	mg/kg
PCB - Aroclor 1221	1.0	ND	mg/kg
PCB - Aroclor 1232	1.0	ND	mg/kg
PCB - Aroclor 1242	1.0	ND	mg/kg
PCB - Aroclor 1248	1.0	ND	mg/kg
PCB - Aroclor 1254	1.0	ND	mg/kg
PCB - Aroclor 1260	1.0	ND	mg/kg

Notes: ND - Below minimum detectable level (MDL)  
Soil/solid sample results based on sample dry weight

---

QA/QC

Surrogate Recovery

Acceptance Criteria

Hexabromobenzene: 112%

78-148%



Client: Clean Harbors of Kingston, Inc.  
Sample I.D.: 227992B7 2-3 BLISS  
Sample Type: Soil

CHAS Lab #: 9207127-07N  
Date Received: 07/11/92

Parameter	MDL	Result	Units	Analysis Date	Method Number and Reference
Total Solids	--	92.2	%	07/14/92	209F(b)

Notes: ND -- Below minimum detectable level (MDL)  
Soil/solid samples based on sample dry weight.



Client: Clean Harbors of Kingston, Inc.  
Sample I.D.: 227992B7 3-4 BLISS  
Sample Type: Soil

CHAS Lab #: 9207127-08N  
Date Received: 07/11/92

Polychlorinated Biphenyls (PCBs)  
by EPA Method 3540/8080 (ref. c)

Extraction Date: 07/15/92  
Analysis Date: 07/22/92

Parameter	MDL	Concentration	Units
PCB - Aroclor 1016	1.0	ND	mg/kg
PCB - Aroclor 1221	1.0	ND	mg/kg
PCB - Aroclor 1232	1.0	ND	mg/kg
PCB - Aroclor 1242	1.0	ND	mg/kg
PCB - Aroclor 1248	1.0	ND	mg/kg
PCB - Aroclor 1254	1.0	ND	mg/kg
PCB - Aroclor 1260	1.0	ND	mg/kg

Notes: ND - Below minimum detectable level (MDL)  
Soil/solid sample results based on sample dry weight

---

QA/QC

Surrogate Recovery

Acceptance Criteria

Hexabromobenzene: 99.5%

78-148%





Client: Clean Harbors of Kingston, Inc.  
Sample I.D.: 227992B7 3-4 BLISS  
Sample Type: Soil

CHAS Lab #: 9207127-08N  
Date Received: 07/11/92

Parameter	MDL	Result	Units	Analysis Date	Method Number and Reference
Total Solids	--	89.3	%	07/14/92	209F(b)

Notes: ND - Below minimum detectable level (MDL)  
Soil/solid samples based on sample dry weight.



Client: Clean Harbors of Kingston, Inc.  
Sample I.D.: 227992B7 4-5 BLISS  
Sample Type: Soil

CHAS Lab #: 9207127-09N  
Date Received: 07/11/92

Polychlorinated Biphenyls (PCBs)  
by EPA Method 3540/8080 (ref. c)

Extraction Date: 07/15/92  
Analysis Date: 07/22/92

Parameter	MDL	Concentration	Units
PCB - Aroclor 1016	1.0	ND	mg/kg
PCB - Aroclor 1221	1.0	ND	mg/kg
PCB - Aroclor 1232	1.0	ND	mg/kg
PCB - Aroclor 1242	1.0	ND	mg/kg
PCB - Aroclor 1248	1.0	ND	mg/kg
PCB - Aroclor 1254	1.0	ND	mg/kg
PCB - Aroclor 1260	1.0	ND	mg/kg

Notes: ND - Below minimum detectable level (MDL)  
Soil/solid sample results based on sample dry weight

---

QA/QC

Surrogate Recovery

Acceptance Criteria

Hexabromobenzene: 142%

78-148%



Client: Clean Harbors of Kingston, Inc.  
Sample I.D.: 227992B7 4-5 BLISS  
Sample Type: Soil

CHAS Lab #: 9207127-09N  
Date Received: 07/11/92

Parameter	MDL	Result	Units	Analysis Date	Method Number and Reference
Total Solids	--	81.1	%	07/14/92	209F(b)

Notes: ND - Below minimum detectable level (MDL)  
Soil/solid samples based on sample dry weight.



Client: Clean Harbors of Kingston, Inc.  
Sample I.D.: 227992 B8 1-2 BLISS  
Sample Type: Soil

CHAS Lab #: 9207126-01N  
Date Received: 07/13/92

Polychlorinated Biphenyls (PCBs)  
by EPA Method 3540/8080 (ref. c)

Extraction Date: 07/14/92  
Analysis Date: 07/22/92

Parameter	MDL	Concentration	Units
PCB - Aroclor 1016	1.0	ND	mg/kg
PCB - Aroclor 1221	1.0	ND	mg/kg
PCB - Aroclor 1232	1.0	ND	mg/kg
PCB - Aroclor 1242	1.0	ND	mg/kg
PCB - Aroclor 1248	1.0	ND	mg/kg
PCB - Aroclor 1254	1.0	ND	mg/kg
PCB - Aroclor 1260	1.0	ND	mg/kg

Notes: ND - Below minimum detectable level (MDL)  
Soil/solid sample results based on sample dry weight

---

QA/QC

Surrogate Recovery

Acceptance Criteria

Hexabromobenzene: 108%

78-148%